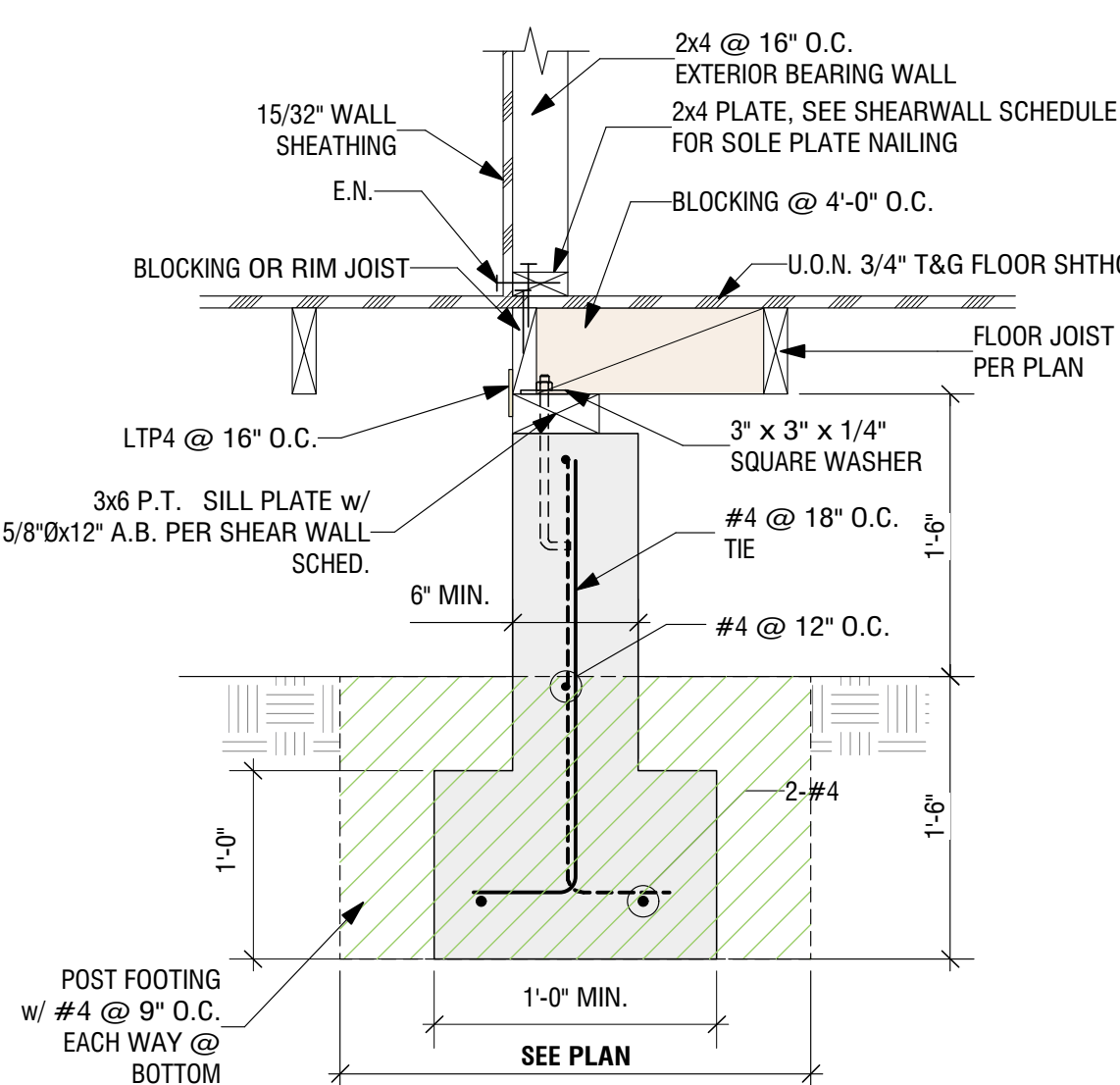
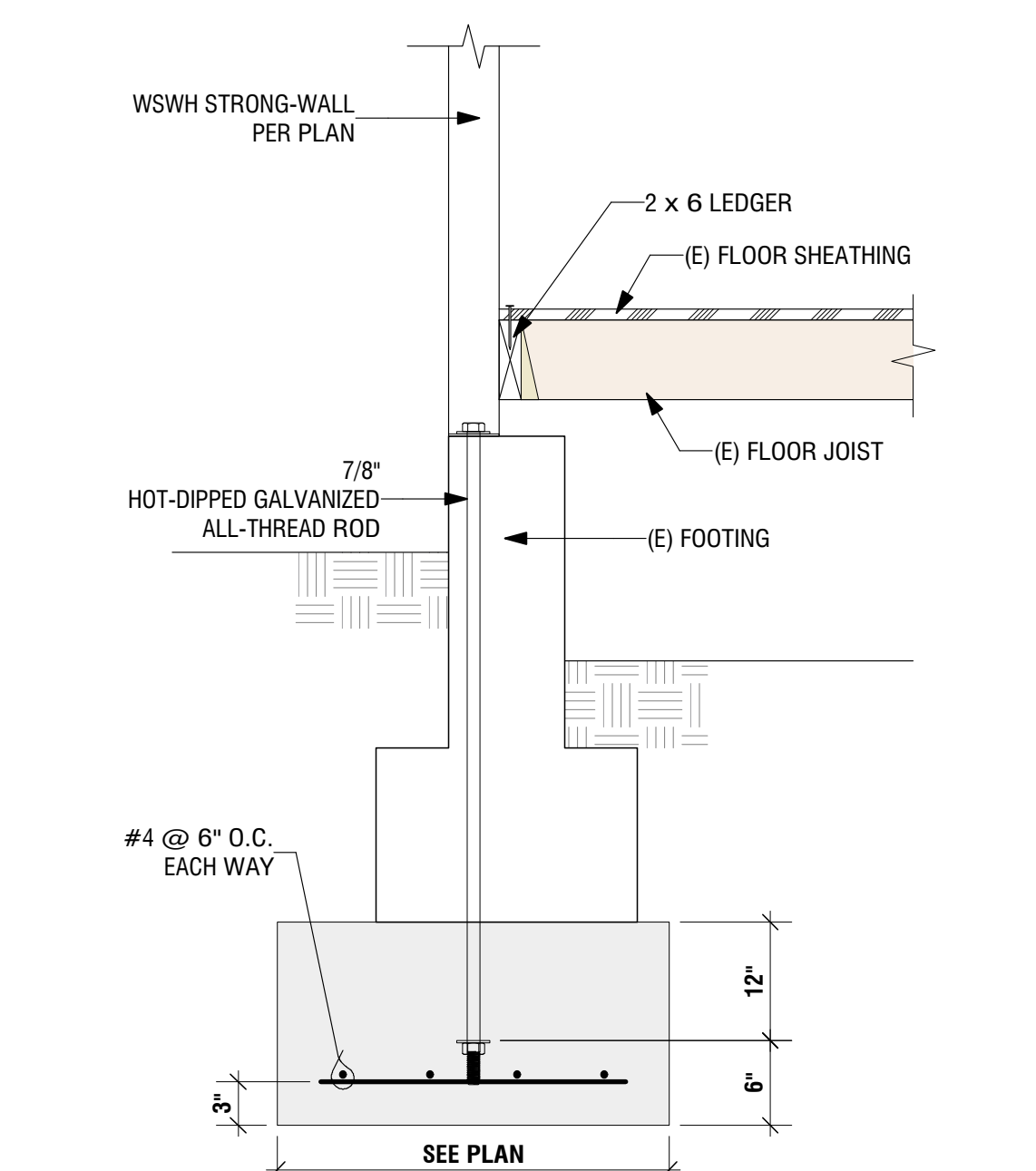


FOUNDATION PLAN
Scale: 1/4" = 1'-0"

1 POST FOOTING
Scale: 1" = 1'-0"



2 INTERIOR FOUNDATION
Scale: 1" = 1'-0"



3 STRONG-WALL FOOTING
Scale: 1" = 1'-0"

Engineer:
DB ENGINEERING
2021 The Alameda, Suite 360
San Jose, CA 95126
Phone: (408) 621-0114
Email:
db.dbengineering@gmail.com



Designer:
Michael S. Radu
Pacific Blue Developments
35 Colleen Way
Campbell, CA 95008
408-504-6826

Project:
INTERIOR REMODEL
1137 VIA JOSE
SAN JOSE,
CA 95120

Job Number:
21256

Date:
December 18, 2021

Revisions:

No.	Description